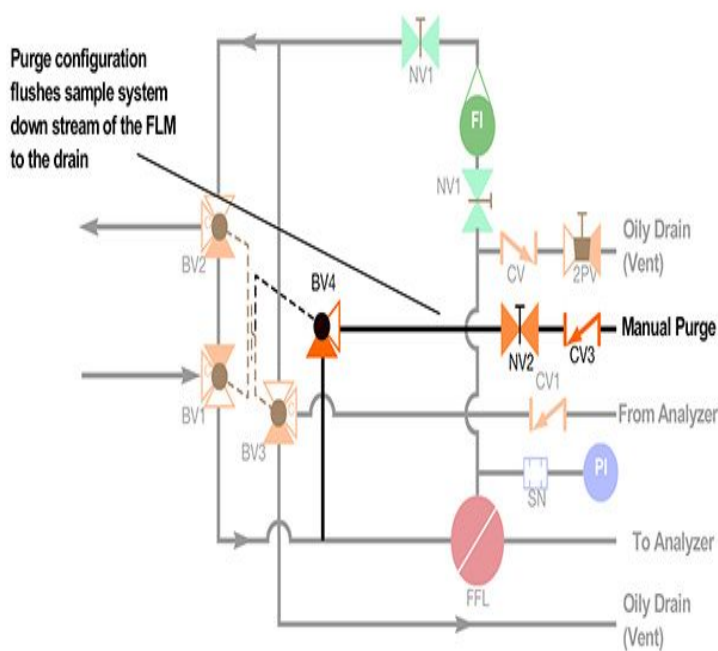


# Sampling Systems For Process Analysers



Process Analyzers and Sampling Systems Training. 26/02/ - 01/03/ Amsterdam, Netherlands Ramada Apollo Hotel Amsterdam Centre. Learn how to design and build an optimized process analyzer sampling system and prevent costly errors in this hands-on training course from Swagelok. Process Analyzer Sampling Systems. In the past few years on-line process analyzers have become increasingly important in the chemical process and. Sampling systems for process analysers [Derek Charles Cornish] on Amazon. com. \*FREE\* shipping on qualifying offers. The use of sampling systems in on-line analysis has spread to almost all areas of the process industries and extends increasingly to safety, process efficiency. If you had to design and install a process analyzer sample system today, how would you do it? First, remember that an analyzer system. Course Description. 80% to 90% of problems with Process Analyzers can be attributed to the sample conditioning system. The course starts by defining the. With the advancement in computer applications and electronics, analyzers have gained popularity in recent years. They have taken the spot sampling capability. If you had to design and install a process analyzer system today, how would you do it? First, remember that an analyzer system is comprised of the sample tap. for analyzer and GC sample systems and other petro-chemical applications. . Fisher, Emerson Process Management, and the Emerson Process Management .22 Apr - 38 min - Uploaded by SwagelokSalesService Phil Harris presents an introductory training webinar about Process Analyzer Sampling. Filling a long-standing void in the process field, this book addresses the system concept of Process Analyzer Sample-Conditioning Technology in light of the. 21 May - 6 sec Read Now livingwithsheep.com?book= [PDF. What are the advantages of installing analyzer system in a pre-fabricated analyzer Why do we need a Sample Conditioning System for a process analyzer?. No matter how sophisticated a fluid analyser system may be, it will be ineffective if a sample flow fails to reach the analyser sensor or if the sample is. LAR's sampling system FlowSampler is suitable for almost any sampling challenge The FlowSampler is a patented sampling device from LAR which does not.

[\[PDF\] Wessex Graves: Five Settings Of Poems By Thomas Hardy For Voice And Harp](#)

[\[PDF\] Integral Transformations And Anticipative Calculus For Fractional Brownian Motions](#)

[\[PDF\] Administrative Effectiveness](#)

[\[PDF\] John Shaw Neilson](#)

[\[PDF\] Georgia Journeys: Being An Account Of The Lives Of Georgias Original Settlers And Many Other Early S](#)

[\[PDF\] The Kings Midwife: A History And Mystery Of Madame Du Coudray](#)

[\[PDF\] Prehistoric Marine Reptiles: Sea Monsters During The Age Of Dinosaurs](#)